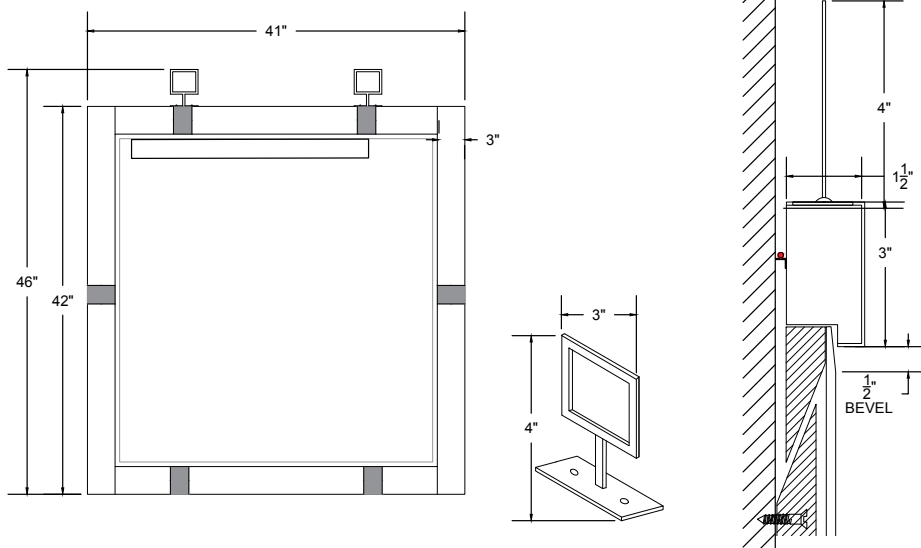


# Axos Mirror

Axos is our take on a mix of industrial and modern farmhouse, featuring a blend of barnwood wood, blackened steel cuffs, and decorative hangers.



## SHOP DRAWING



## MIRROR SPECS

- Overall dimension (including decorative metal): 41"W x 46"H x 1-1/2"D
- Frame profile dimension: 3" x 3-1/2"
- Center frame dimension: 41"W x 42"H
- Distressed whitefield wash frame & bronze decorative metal cuffs.
- 3/16" hospitality grade mirror with polished edge.

## TRUSTED MANUFACTURING

- Model room lead time: 4 to 6 weeks
- Full order lead time: 10 to 12 weeks
- Flexible shipping
- Dependable delivery

## ENTIRELY CUSTOMIZABLE

- Infinite dimensions and sizes suited for every project.
- Optional add-ons and customizations to make your mirror unique.

## MunnWorks

Extraordinary Mirrors

MunnWorks is a world-class manufacturer of decorative framed and lighted mirrors for the global hospitality industry. Our goal is to contribute to the creation of groundbreaking designs by providing quality and eco-friendly manufacturing of our decorative framed and lighted mirrors while ensuring that every project is completed on time and within budget.

150 N. Macquesten Parkway  
Mount Vernon, NY 10550  
914.665.6100  
hello@munnworks.com  
www.munnworks.com