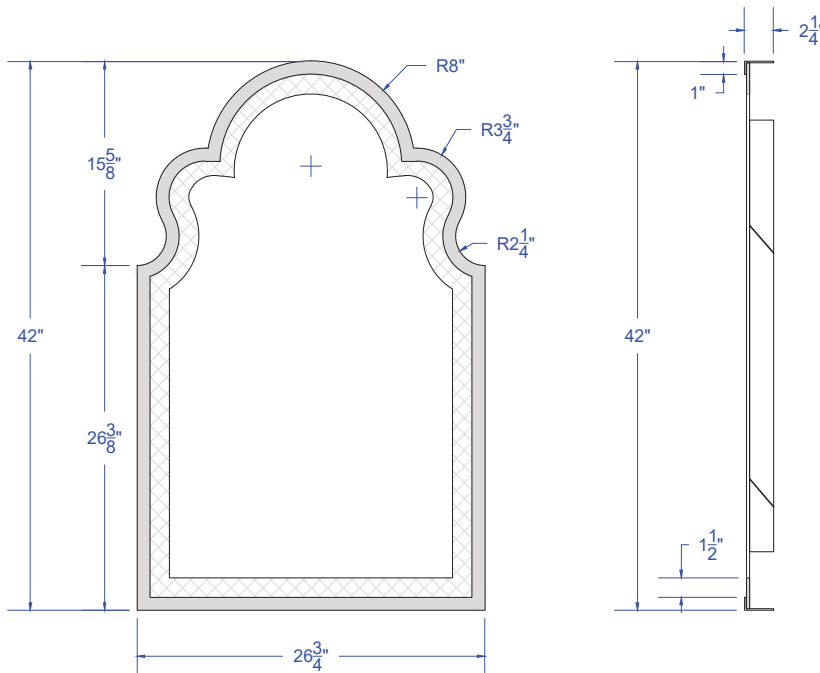


Trefoil Arch

A classic traditional shape reinvented with modern sensibility shown here with a back-lit mirror, the back-etched border following the shape of the frame.



SHOP DRAWING



MIRROR SPECS

- Overall dimension: 26-3/4"W x 42"H x 2-1/4"D
- Frame profile dimension: 1"W x 2-1/4"D, flat face
- Matte black finish on stainless steel metal frame.
- Features a custom etched lighted strip.
- Includes MunnWorks signature LED strip & electrical components
- 3/16" hospitality grade mirror with polished edge.

TRUSTED MANUFACTURING

- Model room lead time: 4 to 6 weeks
- Full order lead time: 10 to 12 weeks
- Flexible shipping
- Dependable delivery

ENTIRELY CUSTOMIZABLE

- Infinite dimensions and sizes suited for every project.
- Optional add-ons and customizations to make your mirror unique.

MunnWorks

Extraordinary Mirrors

MunnWorks is a world-class manufacturer of decorative framed and lighted mirrors for the global hospitality industry. Our goal is to contribute to the creation of groundbreaking designs by providing quality and eco-friendly manufacturing of our decorative framed and lighted mirrors while ensuring that every project is completed on time and within budget.

150 N. Macquesten Parkway
Mount Vernon, NY 10550
914.665.6100
hello@munnworks.com
www.munnworks.com