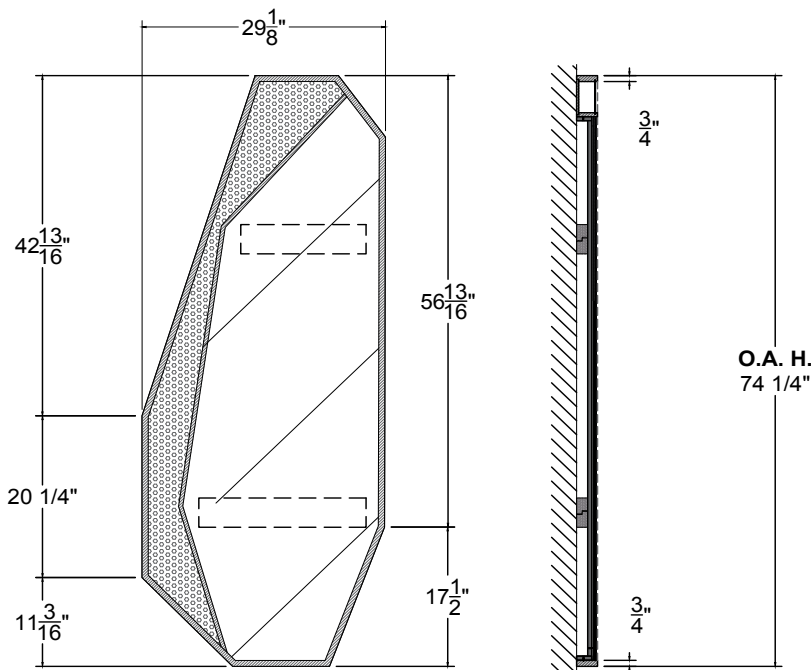


Cesca Mirror

A tribute to the legendary architect Marcel Breuer and his revolutionary designs that combined form, materials, and functionality.



DETAIL IMAGE



MIRROR SPECS

- Overall dimension: $29\frac{1}{8}$ "W x $74\frac{1}{4}$ "H
- Features cane rattan webbing around perimeter.
- Custom finishes available upon request.
- $\frac{3}{16}$ " hospitality grade mirror with polished edge.

TRUSTED MANUFACTURING

- Model room lead time: 4 to 6 weeks
- Full order lead time: 10 to 12 weeks
- Flexible shipping
- Dependable delivery

ENTIRELY CUSTOMIZABLE

- Infinite dimensions and sizes suited for every project.
- Optional add-ons and customizations to make your mirror unique.

MunnWorks

Extraordinary Mirrors

MunnWorks is a world-class manufacturer of decorative framed and lighted mirrors for the global hospitality industry. Our goal is to contribute to the creation of groundbreaking designs by providing quality and eco-friendly manufacturing of our decorative framed and lighted mirrors while ensuring that every project is completed on time and within budget.

150 N. Macquesten Parkway
Mount Vernon, NY 10550
914.665.6100
hello@munnworks.com
www.munnworks.com